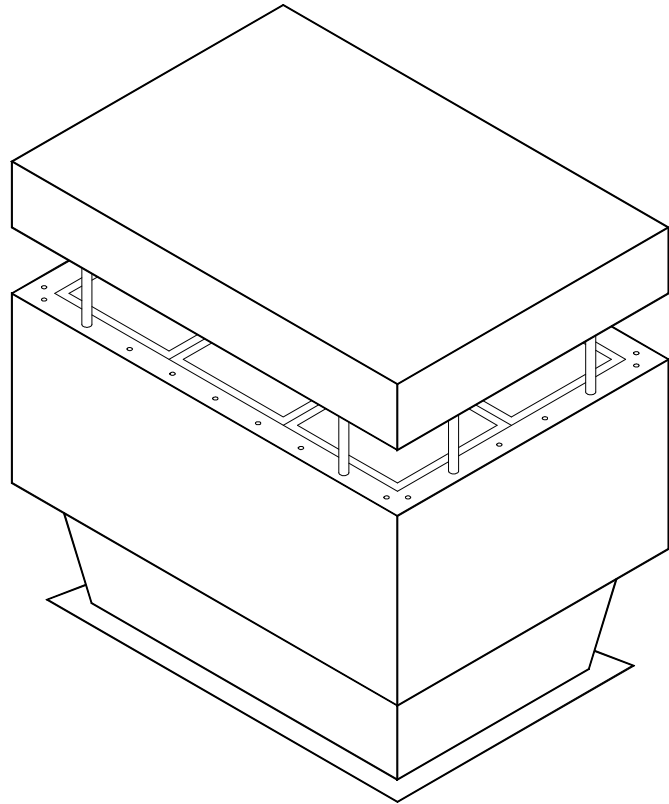
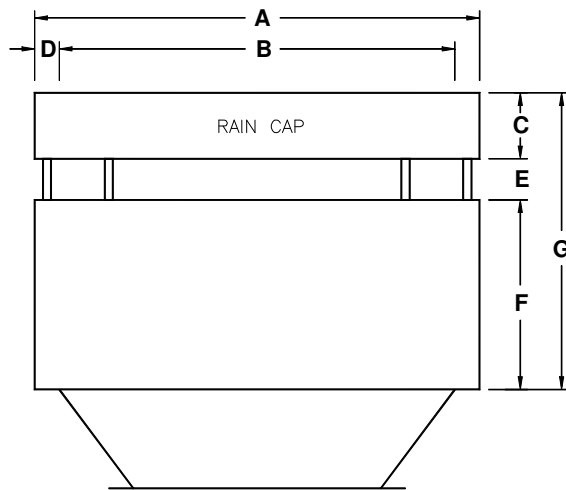




MVA Series Industrial Silencers



DIMENSIONS

MVA-	GRID	A	B	C	D	E	F	G	NET WEIGHT
-1420-4	2 x 2	38" x 38"	32" x 32"	7"	3"	4"	23"	34"	275 lbs.
-1420-6	2 x 3	38" x 54"	32" x 48"	8"	3"	5"	23"	36"	360 lbs.
-1420-9	3 x 3	54" x 54"	48" x 48"	9"	3"	6"	23"	38"	550 lbs.
-1420-12	3 x 4	54" x 70"	48" x 64"	9"	3"	7"	23"	39"	660 lbs.
-1420-16	4 x 4	70" x 70"	64" x 64"	9"	3"	8"	23"	40"	880 lbs.
-1420-20	4 x 5	70" x 86"	64" x 80"	9"	3"	9"	23"	41"	1100 lbs.
-1420-25	5 x 5	86" x 86"	80" x 80"	9"	3"	10"	23"	42"	1375 lbs.
-1420-30	5 x 6	86" x 102"	80" x 96"	9"	3"	11"	23"	43"	1550 lbs.
-1420-36	6 x 6	102" x 102"	96" x 96"	9"	3"	12"	23"	44"	1975 lbs.
-1420-42	6 x 7	102" x 118"	96" x 112"	9"	3"	13"	23"	45"	2300 lbs.
-1420-49	7 x 7	118" x 118"	112" x 112"	9"	3"	14"	23"	46"	2700 lbs.

Oxel® series MVA Silencers are also available in In-Line applications.

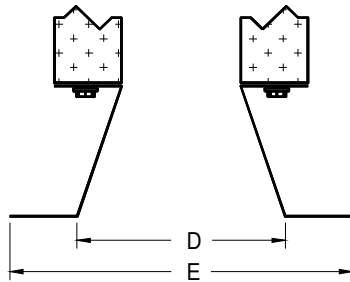




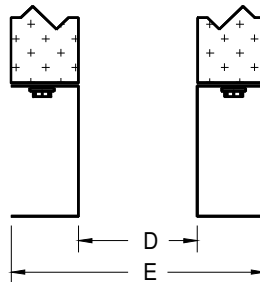
**ATTENUATION AND AIR FLOW
OXEL SILENCERS
MVA Series**

ALL MODELS OF MVA SILENCERS	INSERTION LOSS AT 3FT.								
	B.B. dBA	63 dB	125 dB	250 dB	500 dB	1000 dB	2000 dB	4000 dB	8000 dB
	42	20	26	33	43	44	55	55	60

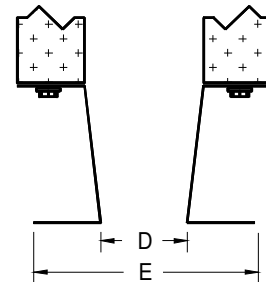
MODEL NUMBER MVA-	VELOCITY OF 2900 FPM @ .25" W.G.	VELOCITY OF 4000 FPM @ .5" W.G.
-1420-4	14,000	19,800
-1420-6	21,000	29,700
-1420-9	31,500	44,550
-1420-12	42,000	59,400
-1420-16	56,000	79,200
-1420-20	70,000	99,000
-1420-25	87,500	123,750
-1420-30	105,000	148,500
-1420-36	126,000	178,200
-1420-42	147,000	207,900
-1420-49	171,000	242,550



TYPE 1 ADAPTER
TAPER CONNECTS SILENCER TO
LARGER SIZE



TYPE 2 ADAPTER
ADAPTER IS STRAIGHT – NO TAPER



TYPE 3 ADAPTER
ADAPTS LARGER SIZE SILENCER
TO SMALLER AIR INLET

