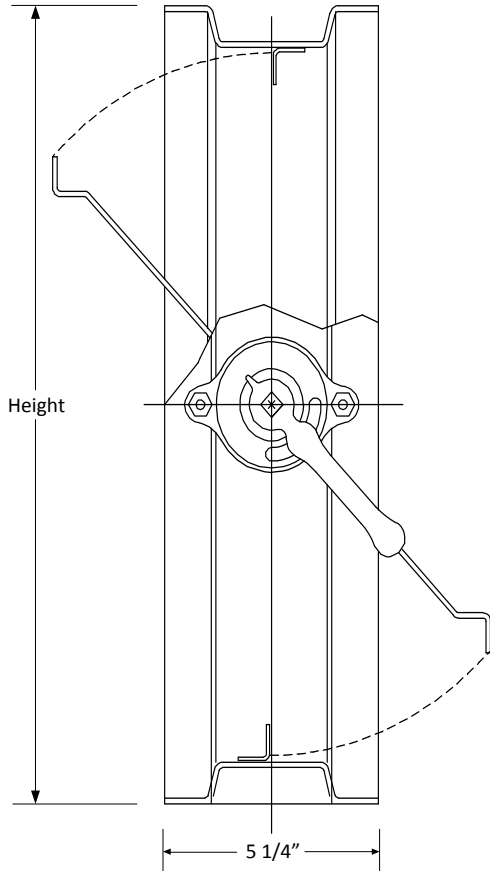




### Galvanized Steel Light Duty Damper Single Blade



#### SPECIFICATIONS

- FRAME:** Rollformed 16ga. galvanized steel hat channel frame.
- BLADES:** 20ga. galvanized steel.
- AXLES:** 1/4" x 1/4" plated steel.
- CONTROL ROD:** 1/4" diameter x 2" long plated steel.
- QUADRANT:** Plated steel with locking wing nut.
- MAX. VELOCITY:** 1,500 FPM at 1" w.g.

#### SIZES

- MINIMUM:** 4" w x 6" h
- MAXIMUM:** 36" w x 12" h
- DEPTH:** 5 1/4" standard frame.

PROJECT: \_\_\_\_\_

ENGINEER: \_\_\_\_\_

LOCATION: \_\_\_\_\_

CONTRACTOR: \_\_\_\_\_

\_\_\_\_\_

REVISIONS: \_\_\_\_\_

QUANTITY	WALL OPENING		NO. OF SECTIONS	SILL TYPE	FINISH	REMARKS AND OPTIONS
	WIDTH	HEIGHT				

**NOTE:** Damper will be supplied 1/4 inch smaller than width and height dimension shown.

Version: 1-2014

