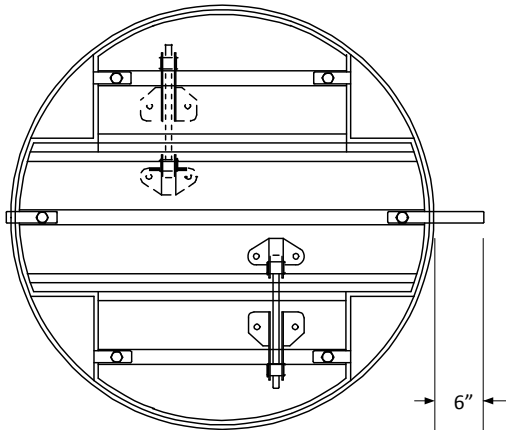




## Galvanized Steel Round Damper Opposed Blade



### SPECIFICATIONS

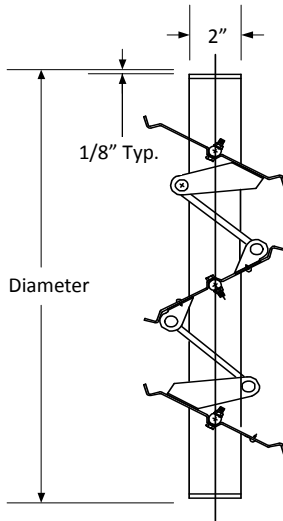
- FRAME:** 10ga. galvanized steel—sizes: 12" thru 20".  
3/16" x 2" H.R. bar—sizes: 21" and larger.
- BLADES:** 16ga. galvanized steel with v-groove reinforcement.
- AXLES:** 1/2" die-cast zinc—corrosion resistant.
- LINKAGE:** Plated steel brackets with brass pivots.  
1/4" diameter linkage rod.
- CONTROL ROD:** 1/2" diameter x 6" long plated steel.
- BEARINGS:** Bronze. Self-lubricating.
- MAX. VELOCITY:** 2,000 FPM at 4" w.g.

### SIZES

- MINIMUM:** 12" diameter.
  - MAXIMUM:** 48" diameter.
- Combine multiple sections for unlimited sizing.

### OPTIONS

- OPERATORS:** Many options available, consult factory.
- FRAME:** Flanged.
- MATERIAL:** Aluminum, Stainless steel, and heavier gauges.
- OTHER :**
  - Seals.
  - Blade edge seals.



PROJECT: \_\_\_\_\_

ENGINEER: \_\_\_\_\_

LOCATION: \_\_\_\_\_

CONTRACTOR: \_\_\_\_\_

REVISIONS: \_\_\_\_\_

QUANTITY	WALL OPENING		NO. OF SECTIONS	SILL TYPE	FINISH	REMARKS AND OPTIONS
	WIDTH	HEIGHT				

**NOTE:** Damper will be supplied 1/8 inch diameter smaller than nominal dimension shown.

Version: 1-2014

