



Galvanized Steel Round Control Damper Single Blade

SPECIFICATIONS

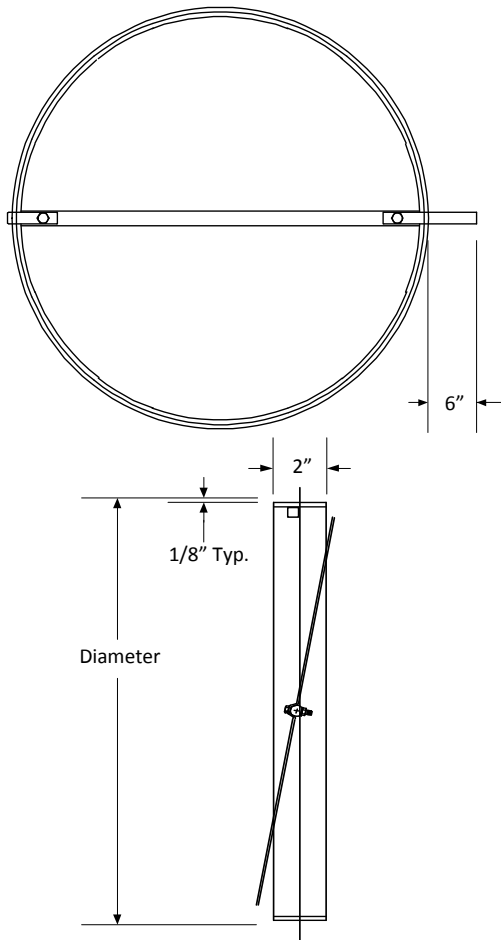
- FRAME:** 14ga. galvanized steel—sizes: 4" thru 7".
10ga. galvanized steel—sizes: 8' thru 20".
3/16" x 2" H.R. bar—sizes: 21" and larger.
- BLADES:** 16ga. galvanized steel with v-groove reinforcement.
- AXLES:** 1/2" die-cast zinc—corrosion resistant.
- CONTROL ROD:** 1/2" diameter x 6" long plated steel.
- BEARINGS:** Bronze. Self-lubricating.
- QUADRANT:** Heavy gauge plated steel with locking wingnut.
- MAX. VELOCITY:** 2,000 FPM at 4" w.g.

SIZES

- MINIMUM:** 4" diameter.
- MAXIMUM:** 24" diameter.

OPTIONS

- OPERATORS:** Many options available, consult factory.
- FRAME:** Flanged.
- MATERIAL:** Aluminum, Stainless steel, and heavier gauges.
- OTHER :** Sleeves



PROJECT: _____

ENGINEER: _____

LOCATION: _____

CONTRACTOR: _____

REVISIONS: _____

QUANTITY	WALL OPENING		NO. OF SECTIONS	SILL TYPE	FINISH	REMARKS AND OPTIONS
	WIDTH	HEIGHT				

NOTE: Damper will be supplied 1/8 inch diameter smaller than nominal dimension shown.

Version: 1-2014