



## Galvanized Steel Round Standard Duty Damper Single Blade

### SPECIFICATIONS

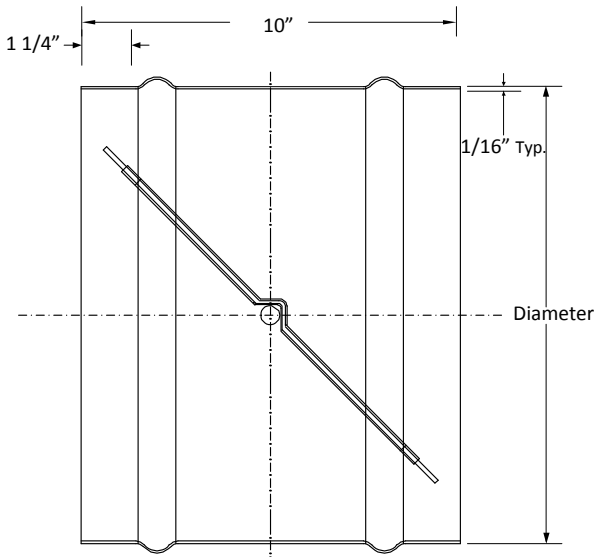
- FRAME:** 18ga. galvanized steel rolled formed with bead reinforcement.
- BLADES:** Dual layer galvanized steel equivalent to 14ga. steel.
- BEARINGS:** Bronze. Self-lubricating.
- SEALS:** Neoprene seal. Fully encompassed blade edges.
- AXLES:** 1/2" diameter with 6" extensions.
- MAX. TEMPERATURE:** 200°F.
- MAX. VELOCITY:** 3,000 FPM at 6" w.g.

### SIZES

- MINIMUM:** 6" diameter.
- MAXIMUM:** 24" diameter.

### OPTIONS

- OPERATORS:** Many options available, consult factory.
- MATERIAL:** Aluminum, Stainless steel, and heavier gauges.



PROJECT: \_\_\_\_\_

ENGINEER: \_\_\_\_\_

LOCATION: \_\_\_\_\_

CONTRACTOR: \_\_\_\_\_

\_\_\_\_\_

REVISIONS: \_\_\_\_\_

QUANTITY	WALL OPENING		NO. OF SECTIONS	SILL TYPE	FINISH	REMARKS AND OPTIONS
	WIDTH	HEIGHT				

**NOTE:** Damper will be supplied 1/8 inch diameter smaller than nominal dimension shown.

Version: 1-2014

